

RainSelect

Thermostat for concealed installation for 2 functions

Surfaces: **Polished Gold Optic** Article Number: **15380990**



Description

product features

- depending on volume flow and installation situation approx. 50% flow rate reduction and integrated shut off function
- 2 functions
- Select push-button on/off control for 2 outlets
- simultaneous use of several outlets
- maximum flow rate at 3 bar: 19,6 l/min
- thermostat cartridge, Start/stop valve to operate the functions
- safety lock at 40 °C
- temperature limitation adjustable
- non-return valve
- connection type: basic set
- min. operating pressure: 1 bar
- max. operating pressure: 10 bar
- Thermostat is delivered with buttons handshower and PowderRain

Technology



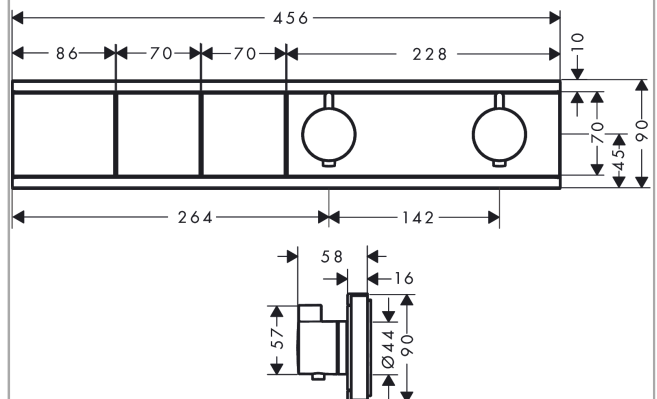
Design awards



Product image



Scale drawing



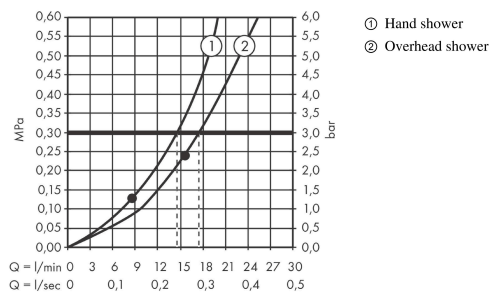
RainSelect

Thermostat for concealed installation for 2 functions

Surfaces: **Polished Gold Optic** Article Number: **15380990**



Flowchart

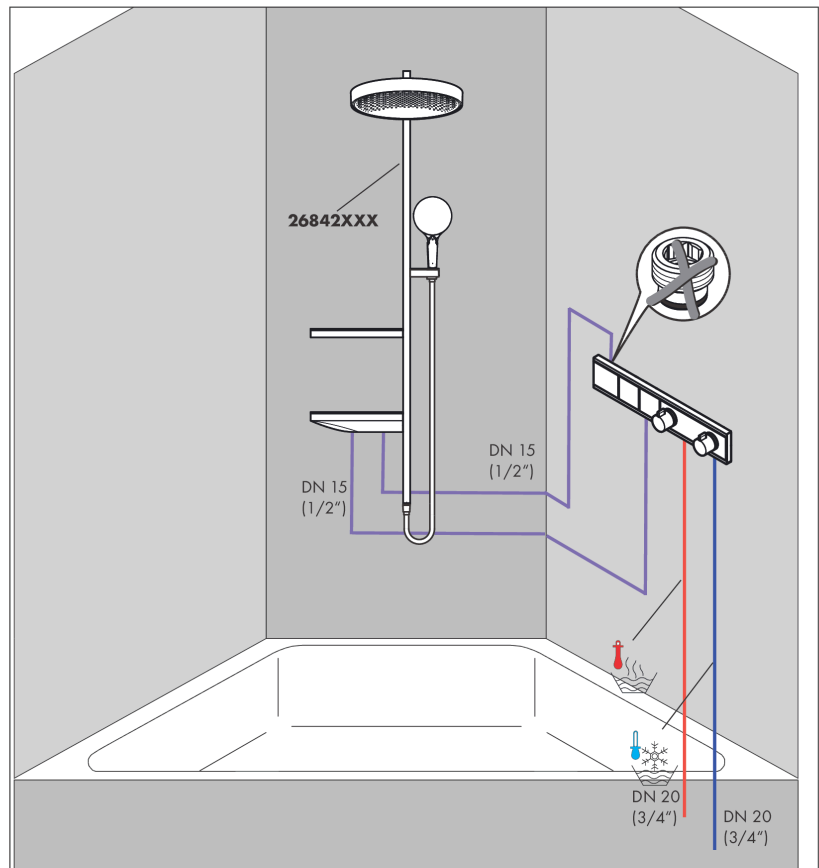
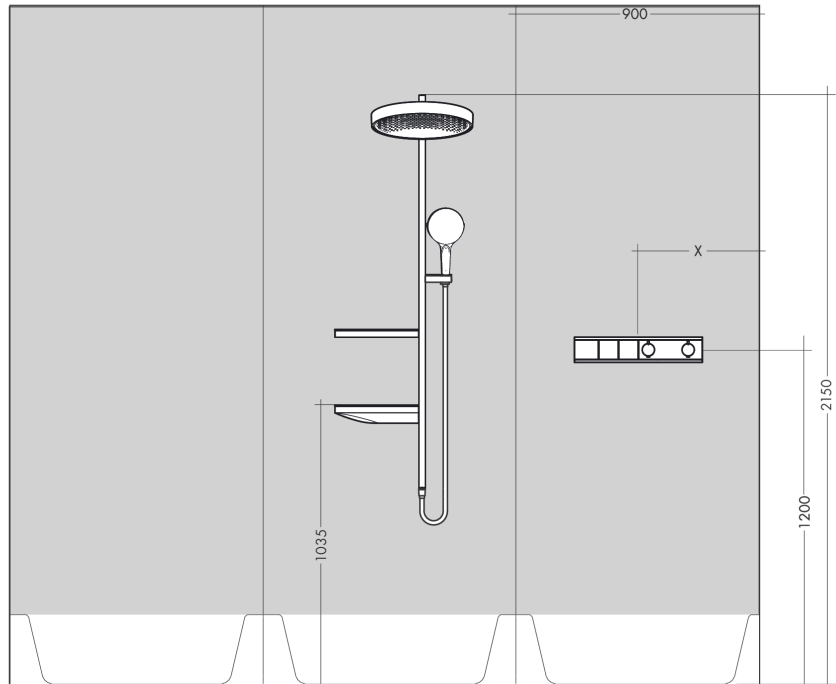


RainSelect
Thermostat for concealed installation for 2 functions
 Surfaces: **Polished Gold Optic** Article Number: **15380990**



Installation examples

RainSelect
 1531018X / 15380XXX



RainSelect

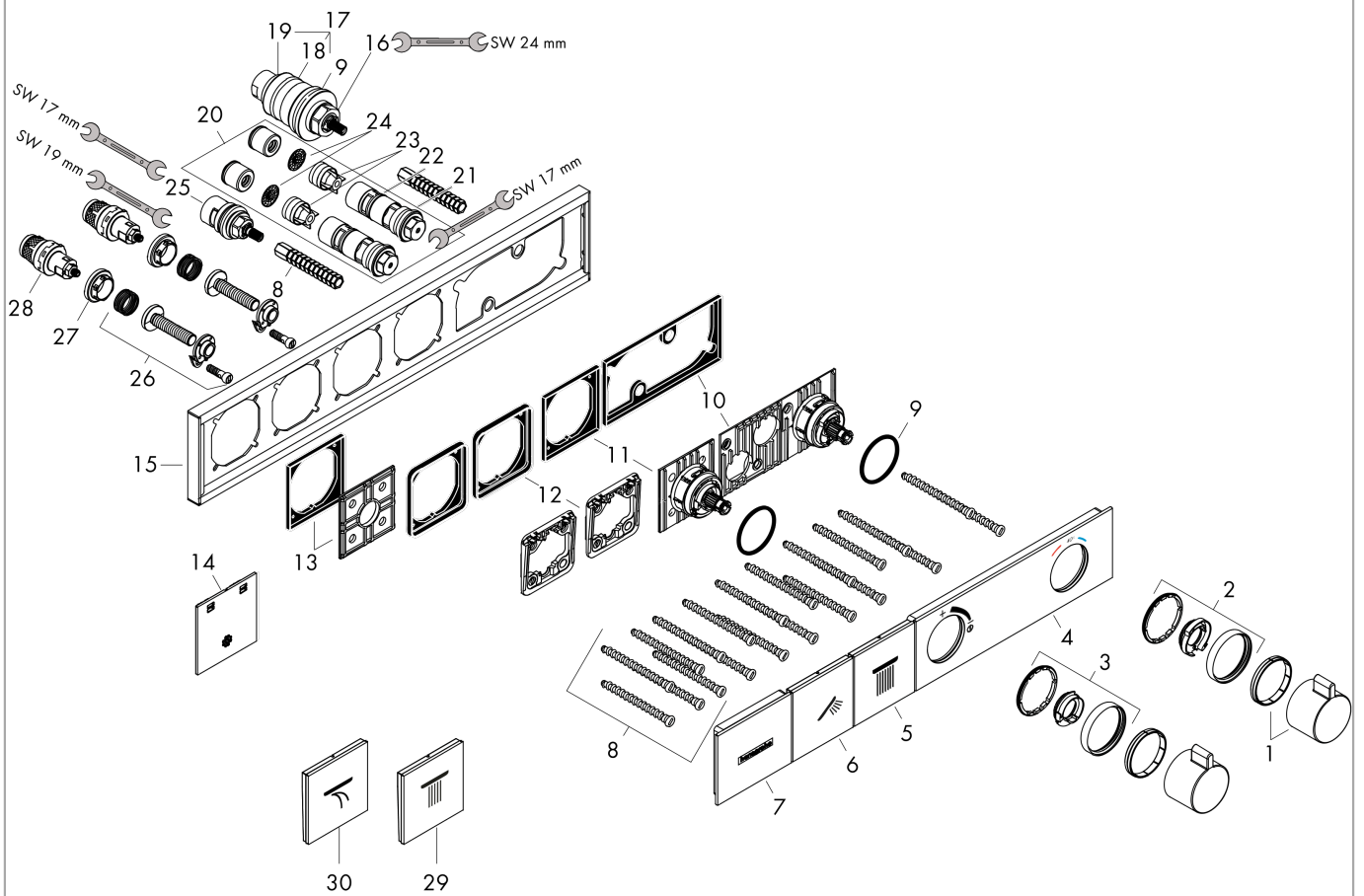
Thermostat for concealed installation for 2 functions

Surfaces: **Polished Gold Optic** Article Number: **15380990**



Exploded Drawing

Year of production: >04/20



RainSelect

Thermostat for concealed installation for 2 functions

Surfaces: **Polished Gold Optic** Article Number: **15380990**



Spare part list

Year of production: >04/20

| Pos. | Description | Article Number | Price | PU |
|------|-------------------------------|----------------|-------|----|
| 1 | handle for thermostat | 92215990 | - | 1 |
| 2 | safety set | 93112990 | - | 1 |
| 3 | safety set | 93113990 | - | 1 |
| 4 | cover | 93105990 | - | 1 |
| 5 | symbol head shower Rain large | 93107990 | - | 1 |
| 6 | symbol handshower | 93106990 | - | 1 |
| 7 | cover | 93501990 | - | 1 |
| 8 | mounting kit | 93102000 | - | 1 |
| 9 | O-ring 38x2,5 | 98198000 | - | 1 |
| 10 | adapter for handle | 93109000 | - | 1 |
| 11 | adapter for handle | 93315000 | - | 1 |
| 12 | support element | 93111000 | - | 1 |
| 13 | support element | 93314000 | - | 1 |
| 14 | fit-up aid | 93417000 | - | 1 |
| 15 | escutcheon | 93104990 | - | 1 |
| 16 | thermostat cartridge | 96633000 | - | 1 |
| 17 | sealing set | 96636000 | - | 1 |
| 18 | O-ring 34x2 | 98383000 | - | 1 |
| 19 | O-ring 26x2 | 98147000 | - | 1 |
| 20 | service unit | 93406000 | - | 1 |
| 21 | O-ring 20x2 | 98165000 | - | 1 |
| 22 | O-ring 20x1,5 | 98197000 | - | 1 |
| 23 | non return valve | 96655000 | - | 1 |
| 24 | filter | 97367000 | - | 1 |
| 25 | shut off unit | 98536000 | - | 1 |
| 26 | Select-adapter | 93103000 | - | 1 |
| 27 | nut | 98368000 | - | 1 |
| 28 | shut off unit | 95758000 | - | 1 |
| 29 | symbol head shower | 93499990 | - | 1 |
| 30 | symbol Flood jet | 93305990 | - | 1 |
| a | concealed item | 15310180 | - | 1 |
| b | Grease | 90920000 | - | 1 |
| c | extension 25 mm | 93432000 | - | 1 |